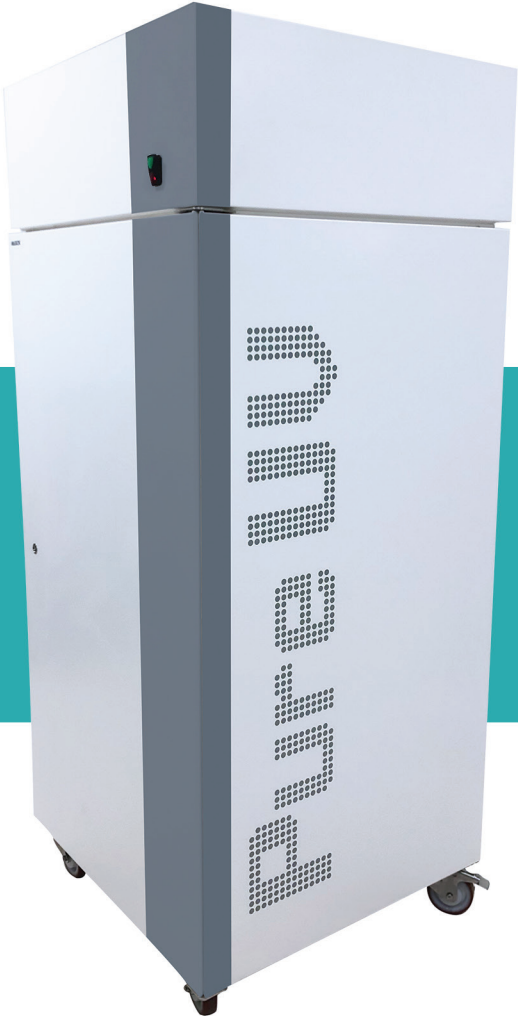


# FORCLEAN®

Clean Room Elements



UV-C  
radiation  
+  
HEPA  
filtration

BLOCK® Pure UV  
Air and Surface Disinfectant  
UV-C radiation + HEPA filtration

## A HIGHLY EFFICIENT METHOD OF AIR AND SURFACE DECONTAMINATION – A COMBINATION OF UV-C RADIATION AND HEPA FILTRATION

The BLOCK® Pure UV Disinfector ensures biological decontamination of spaces and is rooted in a combination of **HEPA filtration** and efficient **UV-C lamps**; the UV radiation effectively destroys microorganisms (bacteria, yeasts and viruses including SARS-CoV-2). UV radiation disrupts the DNA/RNA of microorganisms thereby exterminating them. The disinfector also eliminates allergens. It is a unique product in Europe – combining UV-C radiation with HEPA filtration, which was microbiologically tested in the Institute of Microbiology of the Czech Academy of Sciences in Prague.

The device operates in two working modes:

### DAY MODE ☀️ Air Disinfection

Air disinfection in a room  
in the presence of personnel.

### NIGHT MODE 🌙 Surfaces Disinfection

Surfaces disinfection in a room  
in the absence of personnel.



## ADVANTAGES

- Captures all impurities from the air with a 99.99 % efficiency rate
- Infinitely better compared to simple UV lamps
- Long HEPA filter life
- Long operation life
- Minimum maintenance requirements
- Cleans surfaces for you at night
- Mobile device - ability to move among rooms
- Easy operation

## INTENDED FOR

- Hospitals
- Waiting rooms, Consulting rooms
- Locations with heavy human traffic
- Company canteens
- Changing rooms
- Offices, conference rooms
- Retirement homes
- Schools and kindergartens

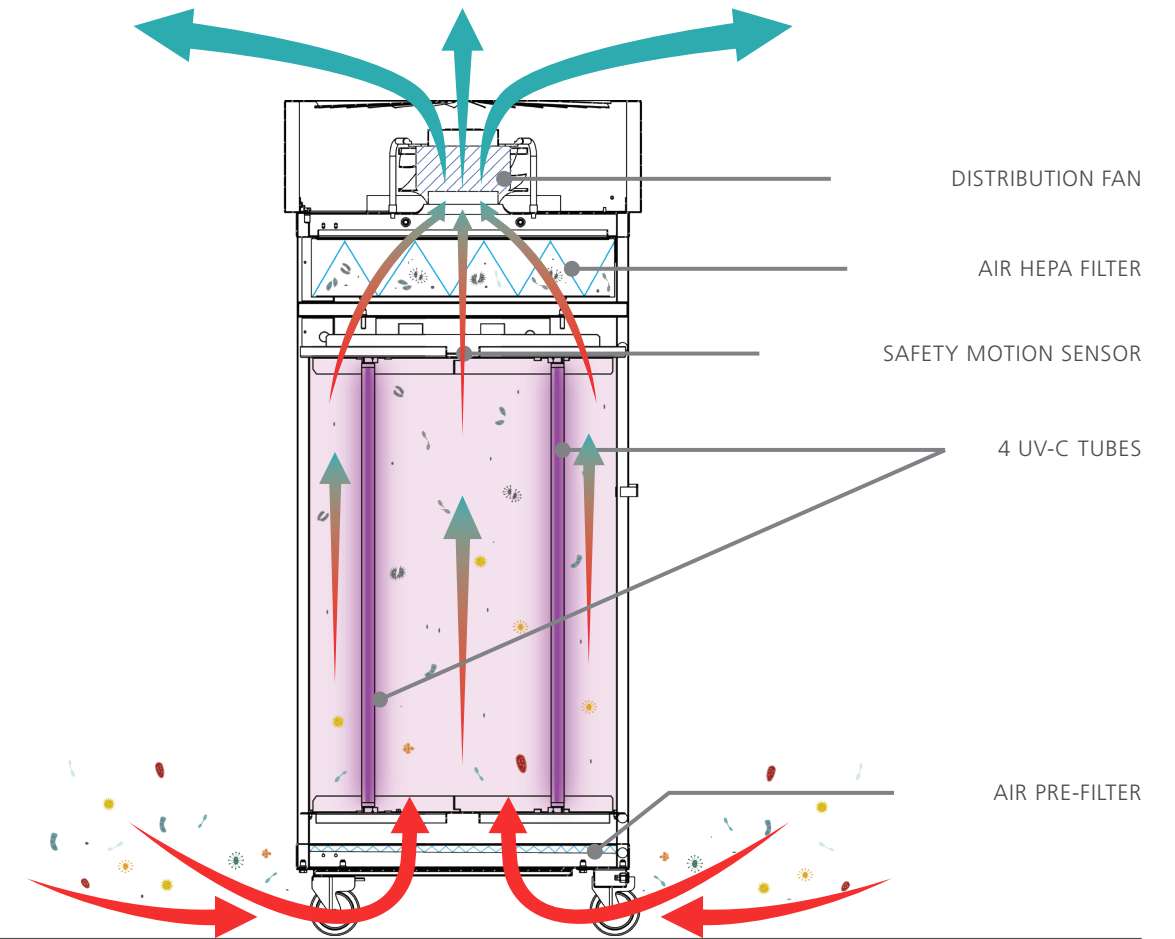


DAY MODE ☀️  
Air Disinfection

- The disinfectant circulates the air in a room.
- The disinfectant is shut down and the air is sucked from the room along the ultraviolet (UV-C) fluorescent tubes.
- Microorganisms inside the disinfectant are exposed to strong UV-C radiation for a period of 2 seconds, killing the majority of them.
- The air is filtered with a high-capacity HEPA filter at the disinfectant outlet capturing all particles from the air with a 99.99 % efficiency level (i.e. dead and surviving microorganisms are removed from the atmosphere).
- This combination of UV radiation and HEPA filtration achieves near perfect removal of microorganisms from the air.



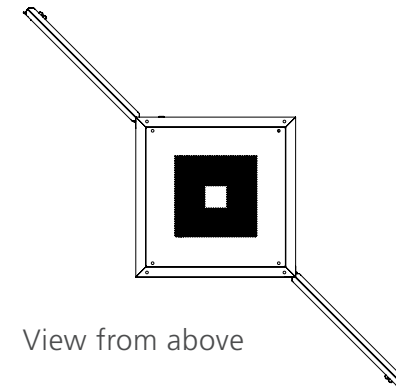
AIR OUTPUT OF  
**900m<sup>3</sup>/h**  
CAPTURING **99,99%** OF IMPURITIES



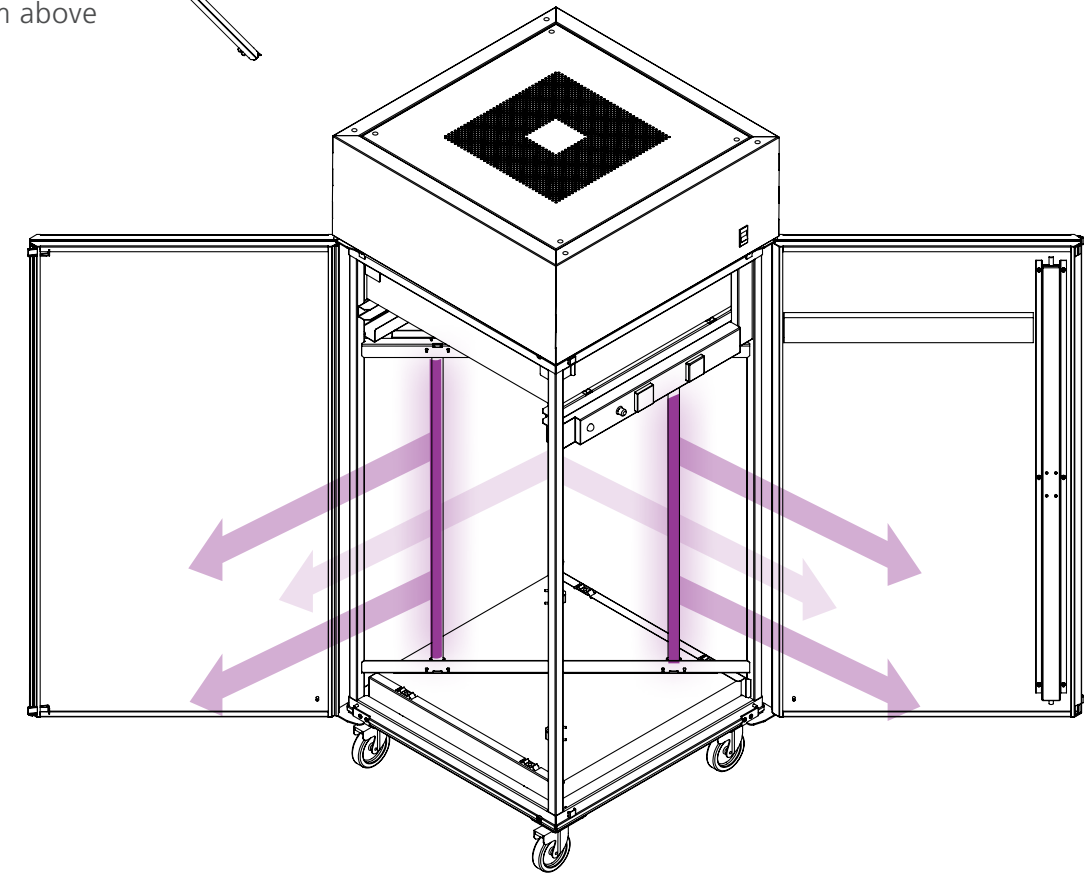
The BLOCK® Pure UV Disinfectant captures viruses and bacteria and also effectively kills them.

## NIGHT MODE Surfaces Disinfection

- The disinfecter is open and the fan is switched off.
- The disinfecter is placed near the surfaces that are most exposed and disinfects them with UV-C radiation within the pre-programmed time period.
- A safety motion sensor completely shuts down the apparatus if anyone enters the radiated space.\*
- \*UV-C radiation is harmful to all living organisms, therefore, rooms must be vacated when Night Mode is in operation. Certain materials are not resistant to UV radiation over the long term.



UV-C TUBES  
4 x 55 W



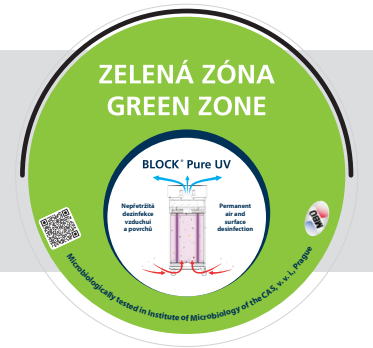
It cleans the air and also the surfaces.



## DESIGN

The basic model of the disinfectant can be provided with decals. You can choose from four of our decal graphics, or choose a decal of your own design, our graphic designers will be happy to help you to process it. This design element makes the disinfectant an extraordinary part of the interior.

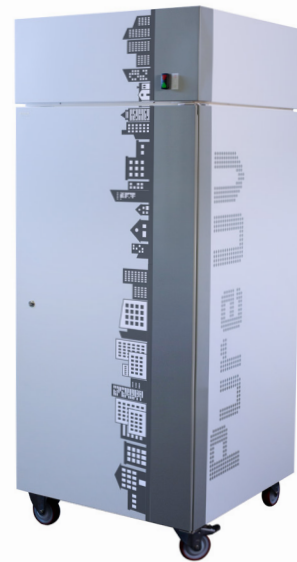
The delivery of a disinfectant also includes a label that can be placed on the disinfectant for a safer feeling of your customers and employees.



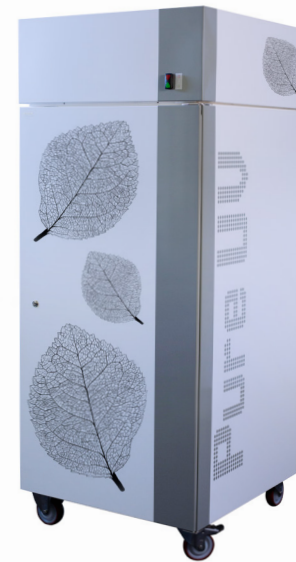
Basic design



Tree design\*



City design\*



Nature design\*



Animals design\*



Your own design  
(photography, vector  
graphics)\*

\*a decal for extra charge

## TECHNICAL PARAMETERS

<b>BLOCK® Pure UV</b>	<b>Model S900</b>
Dimensions in mm (W x H x D)	<b>722 x 1746 x 722</b>
Material	<b>Steel sheet with powder coated surface</b>
Recommended air output	<b>900 m<sup>3</sup>/h</b>
Maximum air output	<b>2500 m<sup>3</sup>/h</b>
Installed power input	<b>970 W</b>
Max. working power input	<b>760 W</b>
Operating voltage	<b>230 V</b>
UV-C tubes	<b>4 x 55 W</b>

In areas of 60 m<sup>2</sup>, the S900 Model filters the air in the room 5 times per hour.  
In case of larger spaces, more BLOCK® Pure UV Disinfectors can be used at once.



Night Mode - Disinfection of Surfaces

# FORCLEAN®

Clean Room Elements

BLOCK® Pure UV  
Microbiologically tested in Institute of Microbiology of the CAS, v. v. i., Prague



FOR Clean, a.s. | Vrbovská cesta 39 | 921 01 Piešťany | Slovakia  
tel.: +421 33 79 89 111 | e-mail: [forclean@forclean.sk](mailto:forclean@forclean.sk), [obchod@forclean.sk](mailto:obchod@forclean.sk)

[www.forclean.sk](http://www.forclean.sk)