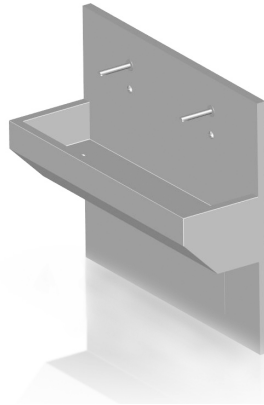


cat. no. 215.05

Surgical - Accessories

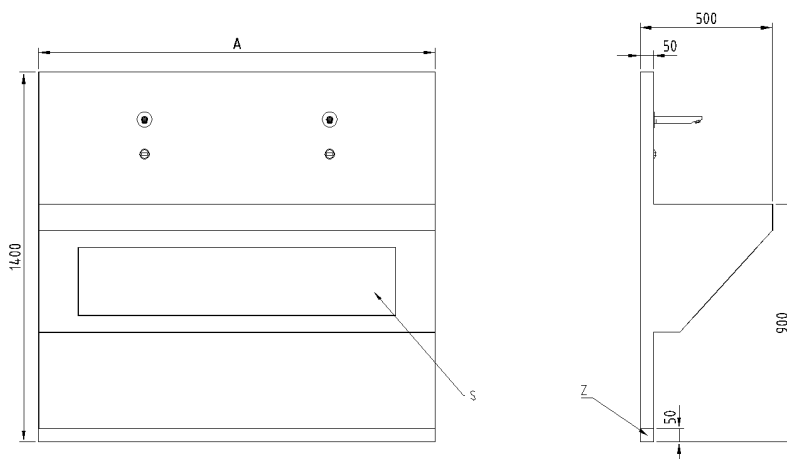
WASH TROUGH



- The wash trough was specially developed primarily for pre-operative rooms. It meets the stringent requirements for equipment designed for clean areas.
- The trough is equipped with sensor-operated mixers. It is made of AISI 304 stainless steel.
- It is available in the standard widths of 800, 1500, 1850, 2100 and 2400 mm. The wash trough is mounted on a 50 mm high profile. The total post-installation height of the rear wall of the trough is 1400 mm. The trough is situated at a height of 850 mm.

Size selection:

Width A (mm)	800; 1500; 1850; 2100; 2400
Depth (mm)	500
Height (mm)	900
Total height ofv rear panel (mm)	1400



Description:

S - Servis open

Z - Basic profil height 50 mm

TECHNICAL DATA

Type designation

Wash trough

Trough width

value	width
Trough width. One sensor-operated mixer	800 mm
Trough width. Two sensor-operated mixers	1500 mm
Trough width. Two sensor-operated mixers	1850 mm
Trough width. Two sensor-operated mixers	2100 mm
Trough width. Three sensor-operated mixers	2100 mm
Trough width. Three sensor-operated mixers	2400 mm

Variation of basic profile design

Stainless steel basic profil

the basic profile is covered with flooring

the basic profile is varnished RAL

Atypical design

Type design

Atypical design

Type design

0 - Unique specification out of offered versions

Atypical design

Q - atypical design that cannot be uniquely specified by a code

MORE INFORMATION, PHOTOS

