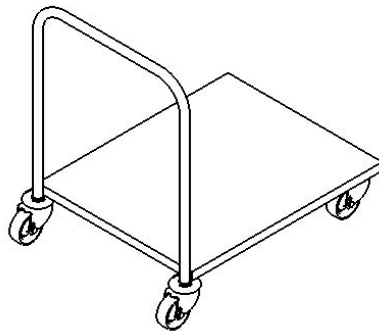
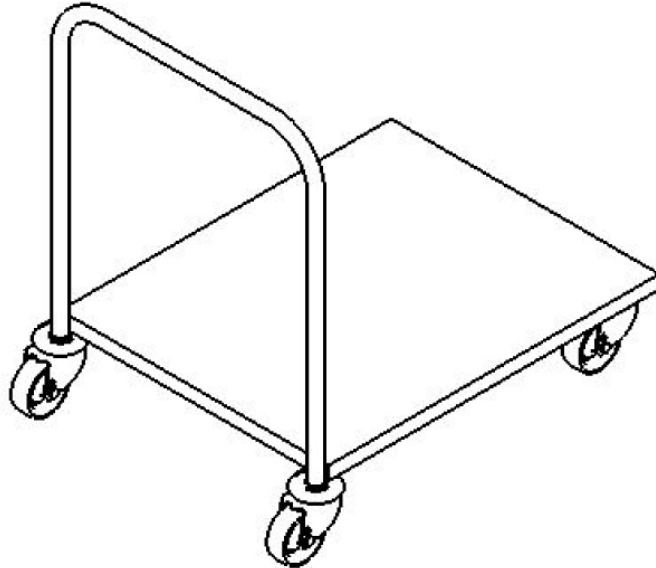


MOBILE STAINLESS STEEL TABLES AND HANDLING CARTS

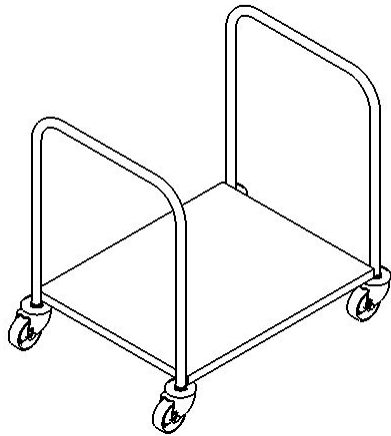


- Mobile stainless steel tables may have 1, 2 or 3 shelves, which may be solid or perforated.
- They have a load capacity of 50 kg/shelf. The tables are fitted with four casters, which are:

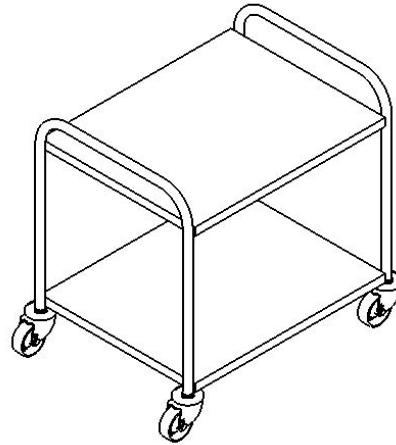
a) Swivel or fixed

b) Sliding or bearing-operated

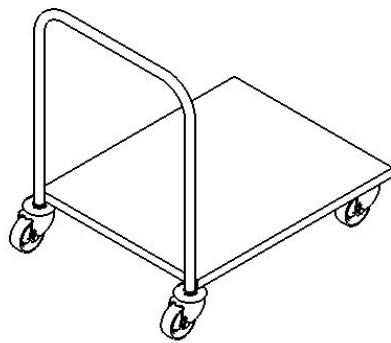
c) with or without brake (all casters or just two of them may be braked)



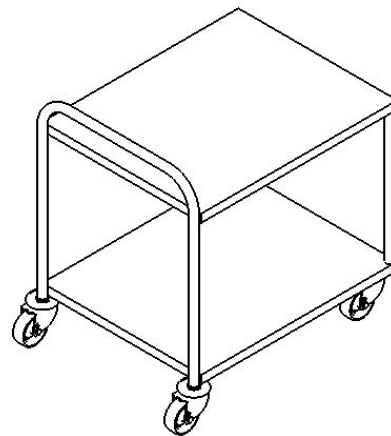
Mobile cart with one shelf



Mobile cart with two shelves



Handling cart with one shelf



Handling cart with two shelves

TECHNICAL DATA

Mobile table or cart

Stainless steel cart

Width

width	value
900 mm	Width of cart
1000 mm	Width of cart
1100 mm	Width of cart

Depth

value	depth
Depth of cart	500 mm
Depth of cart	700 mm
Depth of cart	900 mm
Depth of cart	1100 mm

Height	
height	value
900 mm	Height

Shelf type
Smooth

Number of shelves
Number of shelves
Number of shelves

Caster diameter
Caster diameter
Caster diameter

Type of casters
non-conductive wheels
Conductive for external areas

Brake
Number of braked casters
Number of braked casters

Cart material	
value	Material
Cart material for GMP	Stainless steel AISI 304
Cart material for GMP	Stainless steel AISI 316

MORE INFORMATION, PHOTOS

